

# WAN-WAY(BEIJING) M&E ENGINEERING CO.,LTD

One Way To Support You 



**Design**  
**Supply** Your preferred partner  
of cement, A&C and  
construction industry



**Maintain & Operate**



## CONTENT

- About us
- Structure & Working procedure
- Wan-Way in cement plant
- Wan-Way in concrete batching plant
- Wan-Way in construction site
- Logistics capacity
- Customers & partners
- Contact info





## ABOUT US

**W**an-Way (Beijing) M&E Engineering Co., Ltd (hereinafter referred to as Wan-Way) is an engineering company focused on optimized solution for heavy industrial areas such as cement plant, concrete plant, and construction site.

**T**he services of Wan-Way cover variety of businesses:

- New or upgraded EPC project
- Project implementation and management, commissioning and putting-into-operation
- Site survey and designing, operation & maintenance
- Equipment and spare parts manufacturing and integrating

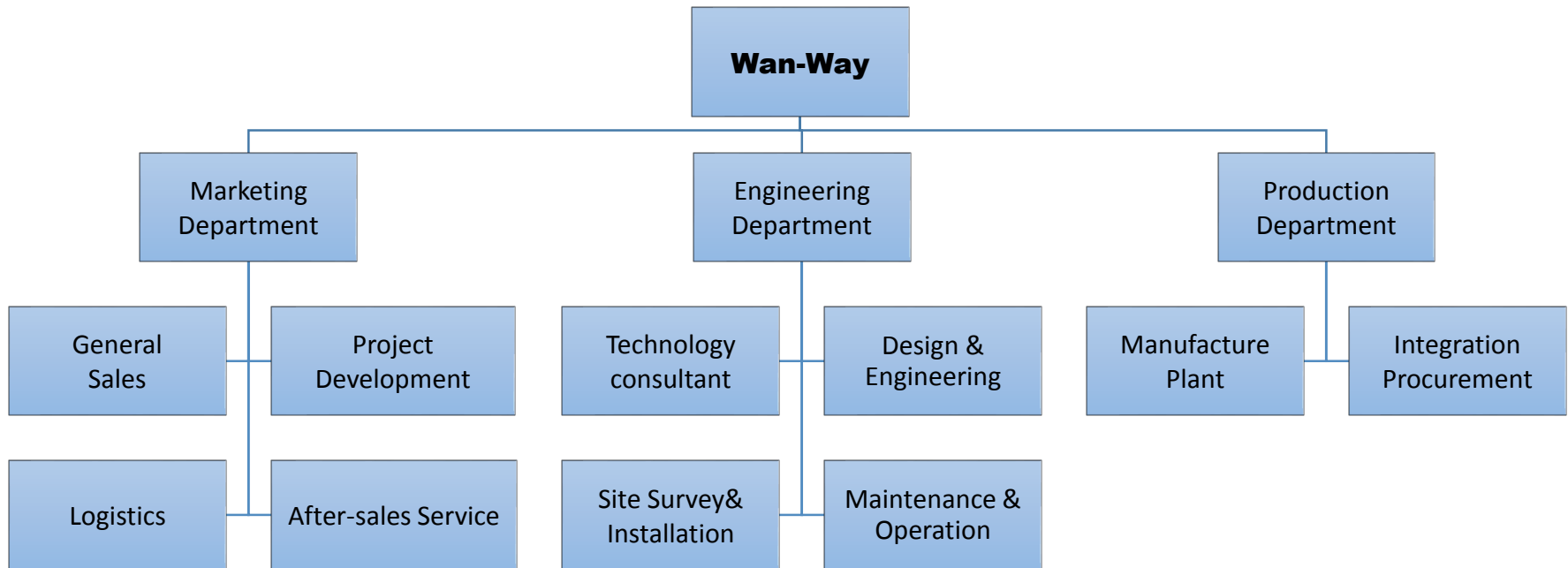
**C**ustomers in cooperation with Wan-Way range from Asia to Middle East, Africa to Latin America. With favorable reputations from our clients, Wan-Way is confident to offer professional service and make a more prosperous place for your plant.

**W**e committed to provide a one-stop service, improve efficiency, reduce intermediate links, to save costs for customers, provide intimate service.



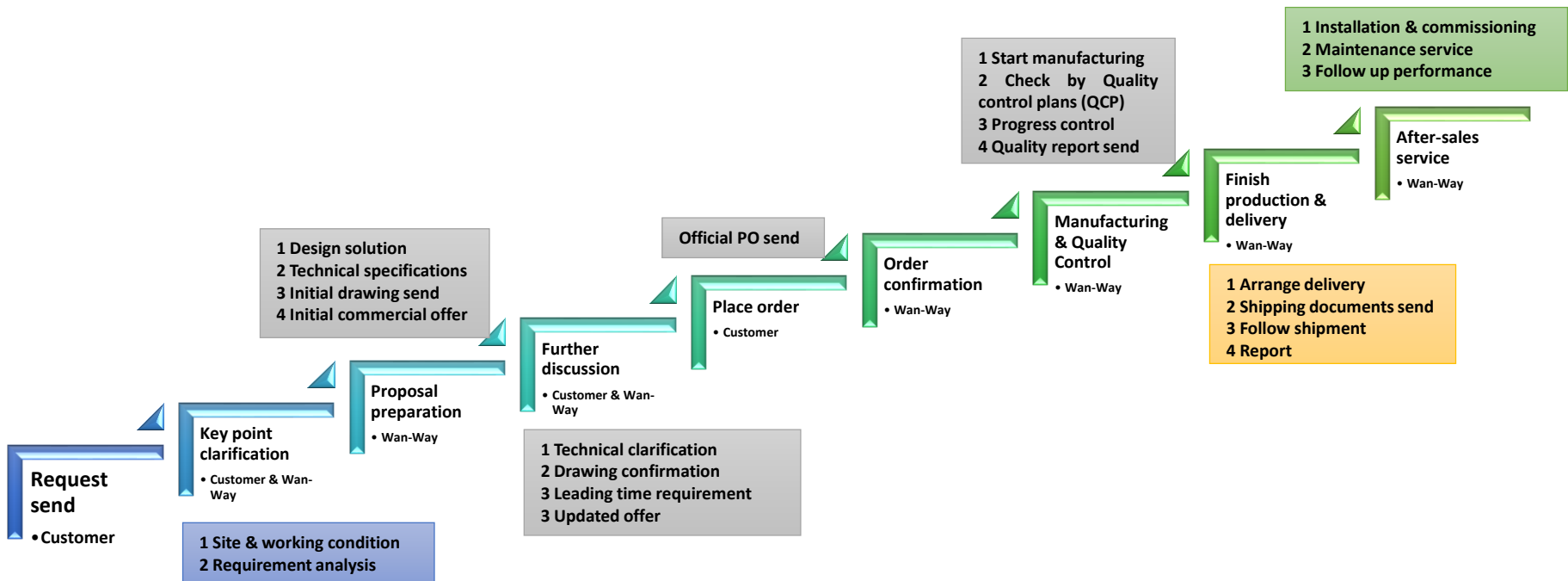


## COMPANY STRUCTURE





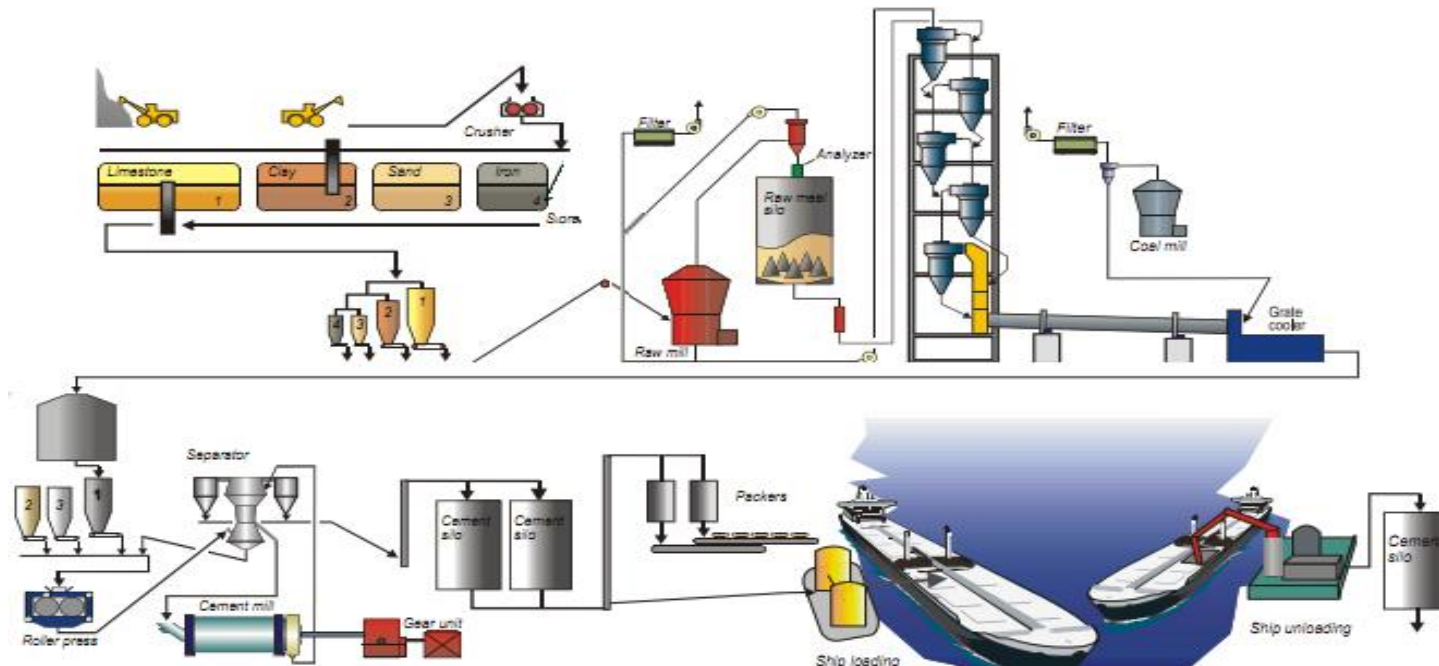
# WORKING PROCEDURE





## WAN-WAY IN CEMENT PLANT

- We provide O&M(operation & maintenance)solution for cement plant from 1,000tpd to 7,500tpd
- We provide a complete ,steady supply of consumable spares with competitive price
- We offer upgrading solution for process of cement plant from 1,000tpd to 7,500tpd
- We offer trouble shooting for difficult problems in cement plant

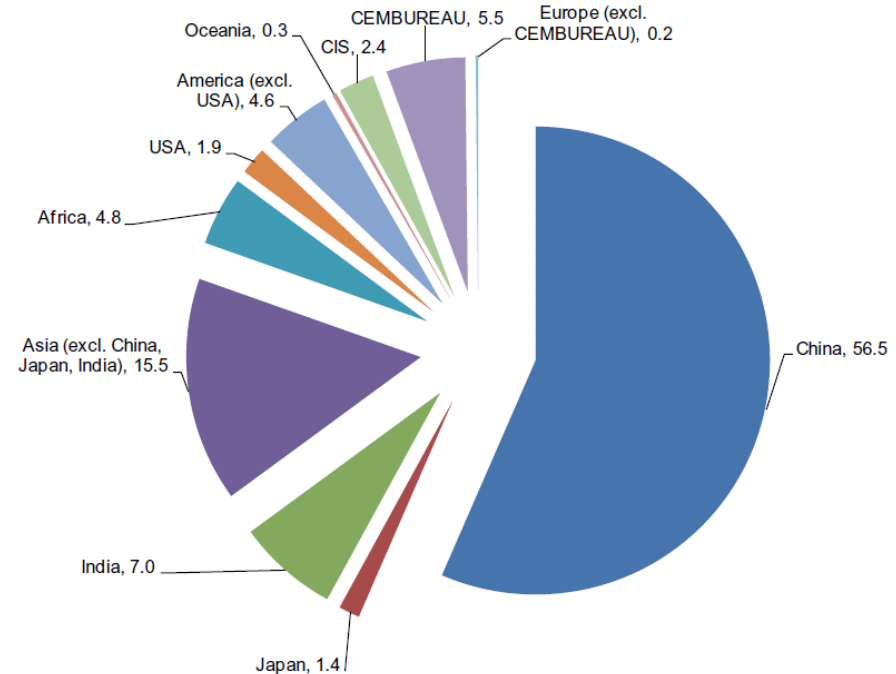






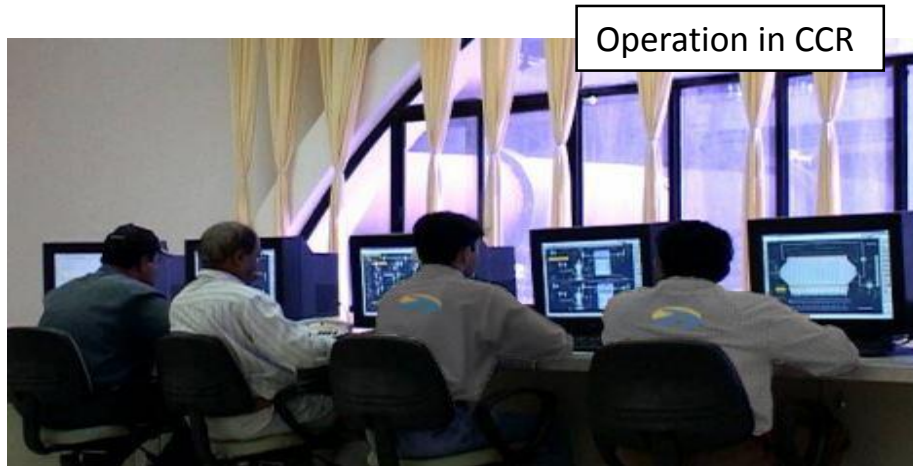
## Our advantages in operation of cement plant

- China has the largest cement industry in the world
- China has developed new dry cement plants for more than 20 years and accumulated significant experiences
- China has dominated advantages of laboring cost
- China has reputable cement EPC contractors and built excellent projects for more than 15 years
- China has mature experience in supplying equipment & spares for cement plant





## Wan-Way site service at cement plant-Operation & Maintenance





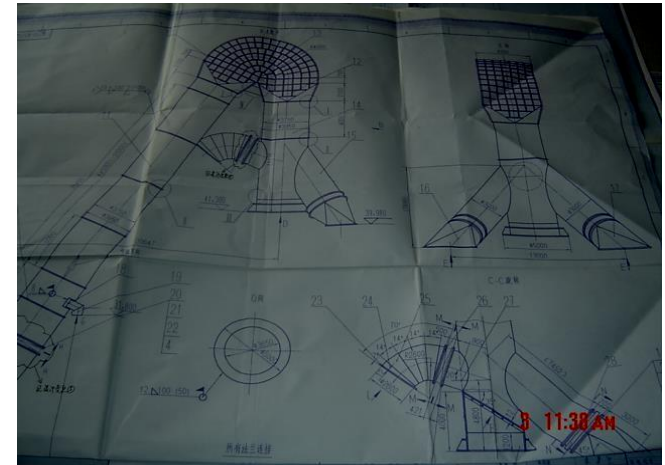


## Wan-Way's Reference projects

### 1 CNBM Cement, VRM updating project, 2016



- By adopting VFD driving, FISmith, Atox 50 VRM reduced power consumption from 22 kwh to 18 kwh.
- By optimizing pipeline layout and air leakage, particle size of raw material is less than 12 % on R0.08 screen residue.



- Duration of project is 20 days
- The vibration of VRM is less than 2 mm/s.

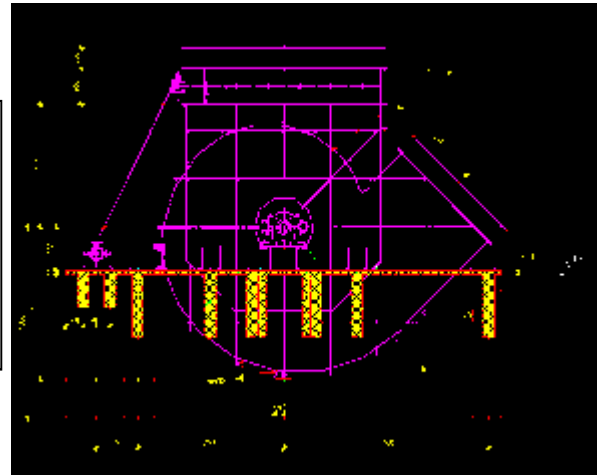


## Wan-Way's Reference projects

2 YANBU Cement, process fan updating project, 2016



- Enlarged EP fan motor power from 1200kw to 1800kw, which increased 30% kiln capacity.
- Upgrading the fan impeller to increasing capacity
- Project duration 35 dasy





## Wan-Way's Reference projects

### 3 CONCH Cement, PID kiln feeding upgrading, 2016

Before

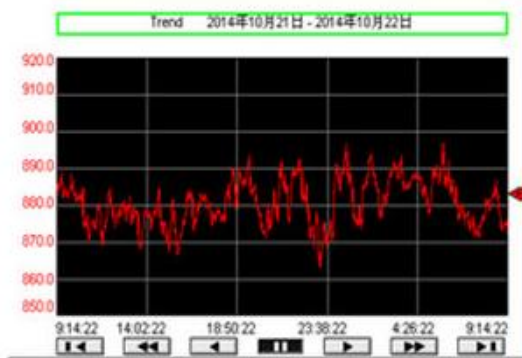
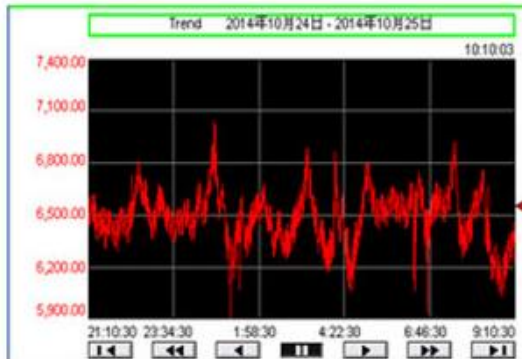


图5 分解炉手动控制效果图（一天）



After

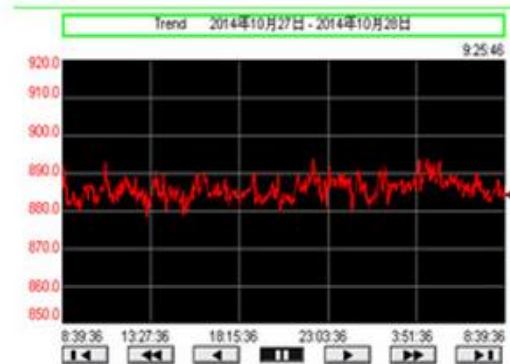
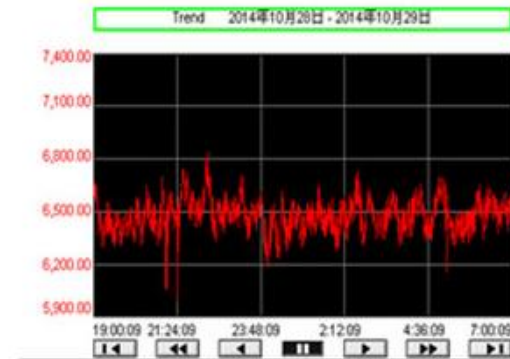


图6 分解炉自动控制效果（一天）



**Trouble:**

Rapid temperature changes in calciner?

**Solution:**

Operational optimization in calciner (PRYO-system) temperature by introducing PID auto-feeding system

**Result:**

Stable temperature control & reliable quality of clinker

**Location:**

In CONCH cement

**Project duration:**

On site 7 days with commissioning



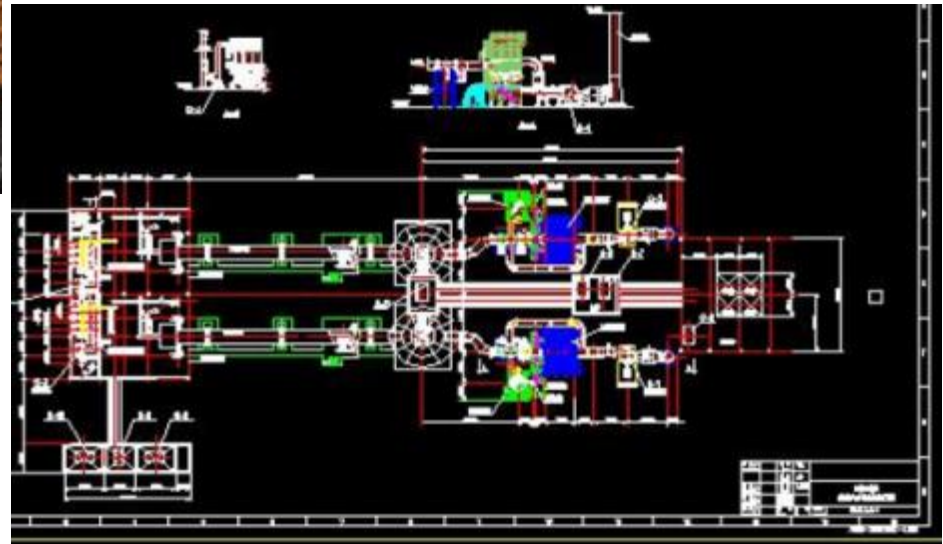


## Wan-Way's Reference projects

### 4 RDF handling, feeding system project, 2017



- Ongoing project for DingXin cement
- RDF transporting & handling
- Advanced burner adopted
- Annual RDF dealing 500-600 ton



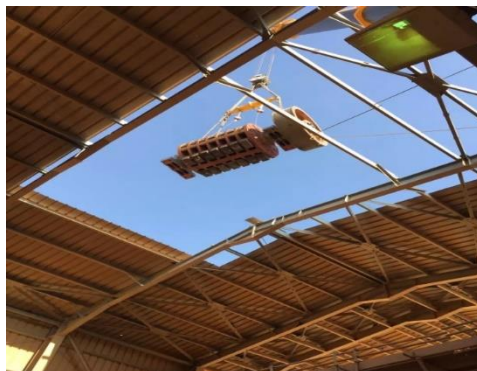


## Equipment supply & installation on site

Refractory Mason



Crusher  
Installation



Girth gear  
Installation







## General purposed equipment

Grate Cooler



Belt Conveyer



Generator



Air Compressor



Crusher



Roots Blower





## Key spares for maintenance

Convey rubber belt



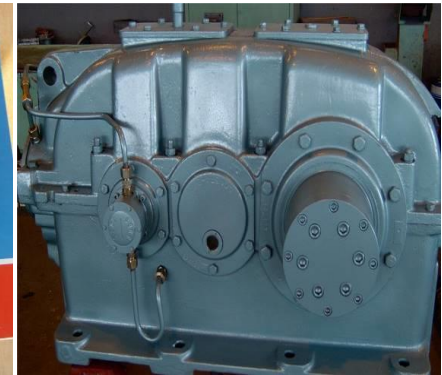
Filter bag



Bearing



Gearbox



Cooler plate



Kiln outlet nozzle



Hydraulic cylinder



Chain







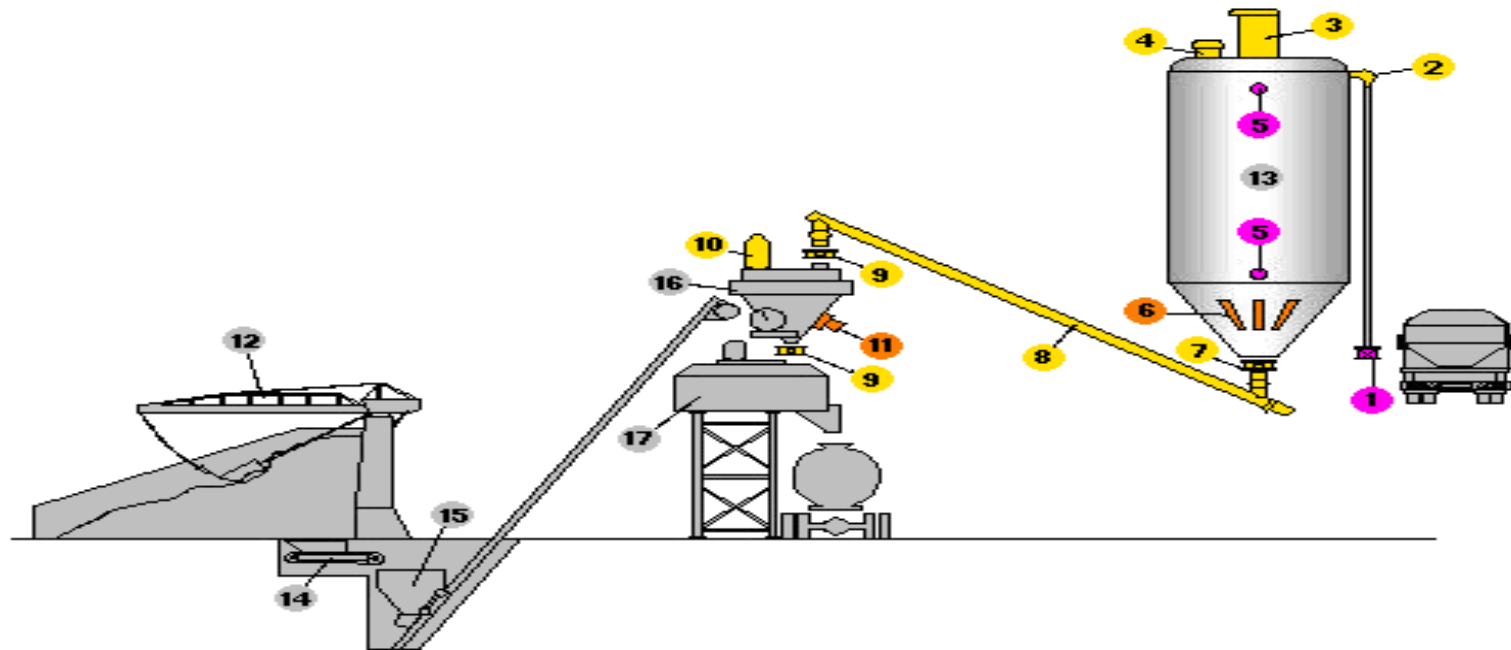
## Auxiliary spares





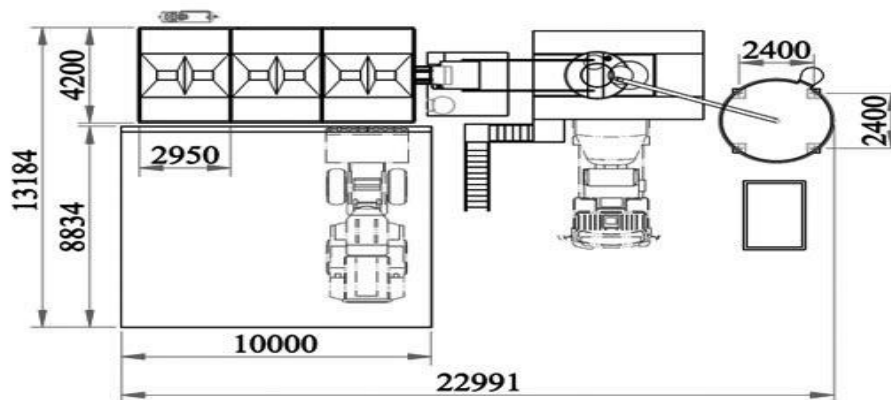
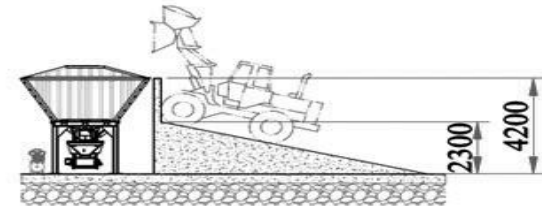
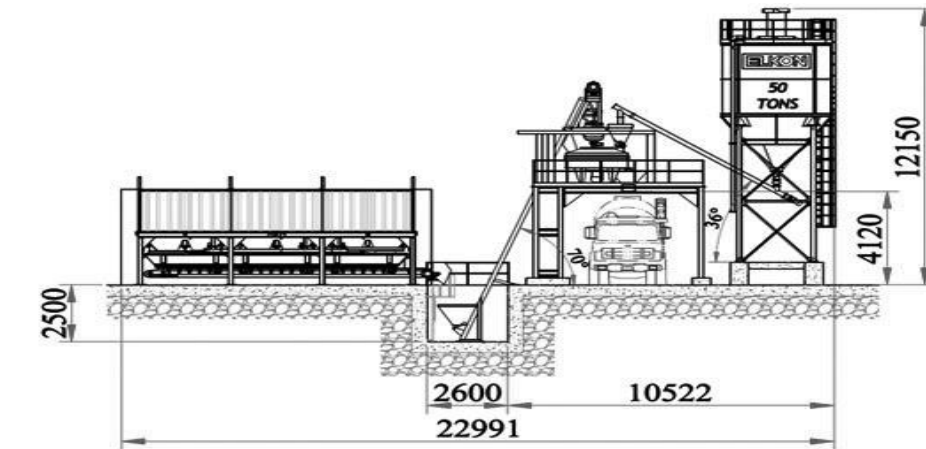
## WAN-WAY IN CONCRETE BATCHING PLANT

- We design and produce customized concrete batch & mixing plant (wet and dry)
- We provide whole solution of stationary or mobile ready-mix equipment
- We offer consumable spare parts for concrete batching & mixing plant
- We offer trouble shooting for difficult problems in concrete batching & mixing plant





## Designing



TARİH:	09/06/2009	AD SOYAD	İMZA	ADET	MALZEME	WAN-WAY
ÖLÇEK:	ÇİZİM	İSİM				
X / X	KONTROL	İSİM	RESPULSÖRLÜ		AĞIRLIK	PARÇA KODU:
	ONAY	MUSTAFA ALPAGUTI			Kg/Ad	
PARÇA ADI	EMX35-SD-1-Y					





## Wear parts installation in concrete batching plant





## Consumable spare parts supply for concrete batching plant





## WAN-WAY IN CONSTRUCTION SITE

- We supply kindly of engineering machinery for construction site
- We provide maintenance service at building site
- We supply genuine spares parts for engineering machinery
- We offer professional trainings for customers







## Site repairing for engineering machinery





## Spare parts supply for engineering machinery

Oil filter



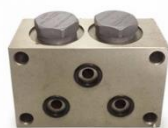
Radiator temperature control switch



proximity switch



Shuttle valve



Hand valve assembly



pressure pickup



Stepper motor assembly



Multichannel valve spool



Main relief valve



Double gear oil pump



Pin shaft



Mixing seal



Input shaft of shunt box



rocker arm of pumping truck



Outlet of pumping truck



Bearing seat



One way valve of oil cylinder



Hydraulic filter



Carriage roller



Cutting ring



Overflow valve cover plate



Gear



copper sleeve



U-bolt







## LOGISTICS CAPACITY

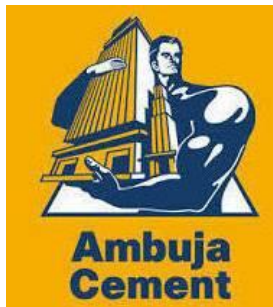
- Wan-Way logistics team has extensive experience to control the export procedure such as documentation, customs declaration, cargo inspection, loading, and etc.
- A panel of approved suppliers (air, ocean and road freight companies) that have undergone our strict selection process to allow us to fulfil our commitment to providing the best service. We can transport cargo by sea(FCL/LCL/bulk), air ,road, and express.





## CUSTOMERS & PARTNERS

## They Trust Us





## CUSTOMERS & PARTNERS

## They Support Us







**One Way To Support You**  
**Thank You / 谢谢 / Merci / Gracias / شكرا**



## CONTACT INFO

### **WAN-WAY (BEIJING) M&E ENGINEERING CO.,LTD**

**Add:** 10F,Building C, Longsheng Tower,No.5 Rongchang East Road, Economic and Technological Development Zone, Beijing, China.

**Email:** wan-way@wan-way.com

**Tel :** +86 10 6786 0821

**Fax :** +86 10 8331 5199

**Web :** www.wan-way.com